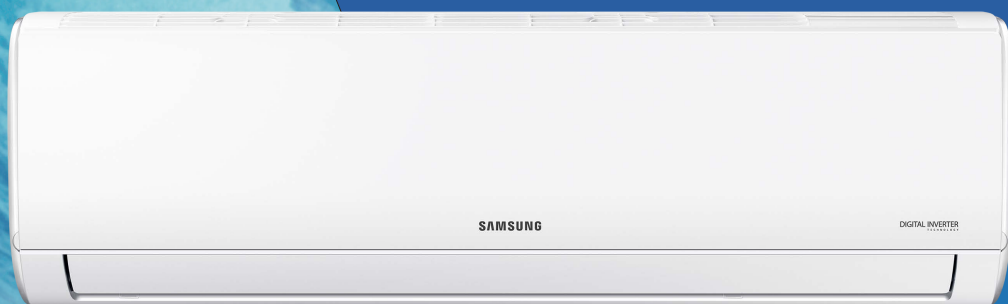


SAMSUNG

RAC

Technical Data Book

RAC for Europe
(Inverter, R32, 50Hz)



Model : AR**TXHQ****EU

Table of Contents

Page

1. Specifications	3
1. Model Reference	
2. General Specifications	
3. Dimensional Drawings	
4. Electrical Wiring Diagrams	
5. Refrigerant Cycle Diagrams	
6. Capacity Tables	
7. Noise Criterion Curves	
8. Electrical Characteristics	

Specifications

Contents

1.	Model Reference.....	4
2.	General Specifications.....	6
3.	Dimensional Drawings.....	10
4.	Electrical Wiring Diagrams.....	14
5.	Refrigerant Cycle Diagrams.....	17
6.	Capacity Tables.....	18
7.	Noise Criterion Curves.....	30
8.	Electrical Characteristics.....	34

1. Model Reference

Model Name

AR	09	T	X	H	Q	A	SI	N	EU
(1)	(2)	(3)	(4)	(5)	(6)	(7)	(8)	(9)	Buyer

(1) Classification

AR	RAC
----	-----

(2) Capacity

x1000 Btu/h

(3) Year

T	2020
---	------

(4) Product Type

R	On/Off R410A CO
Q	On/Off R410R HP
Y	Inverter R32 CO
X	Inverter R32 HP

(5) Characteristics

H	-
---	---

(6) Design Segment

Q	-
---	---

(7) Version

A-Z (1 digit)

(8) Color

WK	Twilight White
SI	Silver
UR	Blue
GM	Gray
WQ	DA White

(9) Set





N	Indoor Unit
X	Outdoor Unit
/	Set

1. Model Reference


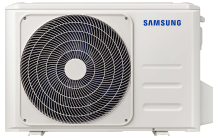
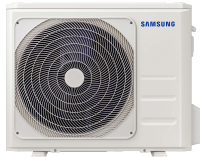
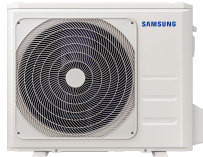
Refer to the following table to determine the specific indoor and outdoor unit model number of your purchased equipment.

Color	Indoor Unit Model	Outdoor Unit Model	Capacity (Btu/h)	Power Supply
Silver	AR09TXHQASINEU	AR09TXHQASIXEU	9K	1Φ, 220~240V~, 50Hz
Twilight White	AR09TXHQBWKNEU	AR09TXHQBWKXEU		
Silver	AR12TXHQASINEU	AR12TXHQASIXEU	12K	
Twilight White	AR12TXHQBWKNEU	AR12TXHQBWKXEU		
Silver	AR18TXHQASINEU	AR18TXHQASIXEU	18K	
Silver	AR24TXHQASINEU	AR24TXHQASIXEU	24K	

Indoor Unit

Mode	Capacity (kBtu/h)			
	9	12	18	24
Heat Pump				

Outdoor Unit

Mode	Capacity (kBtu/h)			
	9	12	18	24
Heat Pump				

2. General Specifications

Indoor Model			AR09TXHQASINEU AR09TXHQBWKNEU	AR12TXHQASINEU AR12TXHQBWKNEU
Outdoor Model			AR09TXHQASIXEU AR09TXHQBWKXEU	AR12TXHQASIXEU AR12TXHQBWKXEU
Power supply	V- Ph-Hz		220~240-1-50	220~240-1-50
Rated Cooling Capacity	Btu/h		9000(3100~11600)	12000(3800~14200)
Cooling Power input	W		770(100~1240)	1213(130~1580)
Cooling Current	A		3.3(0.4~5.4)	5.3(0.5~6.9)
Rated Heating Capacity	Btu/h		10000(2800~11500)	13000(3700~14400)
Heating Power input	W		750(120~1200)	1088(100~1680)
Heating Current	A		3.2(0.5~5.2)	4.7(0.4~6.9)
Seasonal Cooling	Pdesignc	kW	2.8	3.6
	SEER	W/W	6.3	6.1
	Energy Efficiency Class		A++	A++
Heating(Average)	Pdesignh	kW	2.6	2.7
	SCOP	W/W	4.0	3.9
	Energy Efficiency Class		A+	A
	Tbiv	°C	-7	-7
Tol	°C		-15	-15
Max. input consumption	W		2150	2150
Max. current	A		10	10
Compressor	Model		KSK103D33UEZ3(YJ)	KSK103D33UEZ3(YJ)
	Type		Rotary	Rotary
	Brand		GMCC	GMCC
	Capacity	W	3250	3250
	Input	W	829	829
	Rated current(RLA)	A	5.6	5.6
	Locked rotor Amp(LRA)	A	/	/
	Thermal protector		/	/
	Thermal protector position		/	/
	Capacitor	uF	/	/
	Refrigerant oil/oil charge	ml	ESTER OIL VG74/310	ESTER OIL VG74/310
Indoor fan motor	Model		YKFG-13-4-38L-4	YKFG-13-4-38L-4
	Input	W	40	40.0
	Output	W	13	13
	Capacitor	uF	1.2	1.2
	Speed(Hi/Mi/Lo)	r/min	1030/900/750	1150/950/750
Indoor coil	Number of rows		2.0	2
	Tube pitch(a)x row pitch(b)	mm	19.5x11.6	19.5x11.6
	Fin spacing	mm	1.2	1.2
	Fin type (code)		Hydrophilic aluminum	Hydrophilic aluminum
	Tube outside dia.and type	mm	Φ5,Inner groove tube	Φ5,Inner groove tube
	Coil length x height x width	mm	595x78x23.2+595x117x23.2+595x78x23.2	595x78x23.2+595x117x23.2+595x78x23.2
	Number of circuits		4	4

Indoor air flow (Hi/Mi/Lo)		m3/h	466/360/325	540/430/314
Indoor sound pressure level (Hi/Mi/Lo)		dB(A)	41/28	43/29
Indoor sound power level		dB(A)	55	55
Indoor unit	Dimension(W*D*H)	mm	805x194x285	805x194x285
	Packing (W*D*H)	mm	880x285x360	880x285x360
	Net/Gross weight	Kg	8.1/11.1	8.1/11.1
Outdoor fan motor	Model		ZKFN-34-10-1	ZKFN-34-10-1
	Output	W	34	34
	Capacitor	uF	/	/
	Speed	r/min	760/450	790/450
Outdoor coil	Number of rows		1	1
	Tube pitch(a)x row pitch(b)	mm	21x22	21x22
	Fin spacing	mm	1.3	1.3
	Fin type (code)		Hydrophilic aluminum	Hydrophilic aluminum
	Tube outside dia.and type	mm	Φ7,Inner groove tube	Φ7,Inner groove tube
	Coil length x height x width	mm	740x462x22	740x462x22
	Number of circuits		2	2
Outdoor air flow		m3/h	1750	1800
Outdoor sound pressure level		dB(A)	55	55
Outdoor sound power level		dB(A)	62	65
Outdoor unit	Dimension(W*D*H)	mm	720x270x495	720x270x495
	Packing (W*D*H)	mm	835x300x540	835x300x540
	Net/Gross weight	Kg	23.2/25.5	23.2/25.5
Refrigerant	Type		R32	R32
	GWP		675	675
	Charged quantity	Kg	0.55	0.55
Design pressure		MPa	4.3/1.7	4.3/1.7
Refrigerant piping	Liquid side/ Gas side	mm(inch)	Φ6.35/Φ9.52(1/4"/3/8")	Φ6.35/Φ9.52(1/4"/3/8")
	Max. refrigerant pipe length	m	25	25
	Max. difference in level	m	10	10
Connection wiring			1.5x5Core	1.5x5Core
Plug type			no-plug	no-plug
Thermostat type			Remote Control	Remote Control
Operation temperature			17-32	17-32
Ambient temperature	Indoor(cooling/ heating)	°C	17-32/0-30	17-32/0-30
	Outdoor(cooling/heating)	°C	-10-46/-15-24	-10-46/-15-24
Qty'per 20' /40' /40'HQ			130/240/260	130/240/260

Notes:

1) Capacities are based on the following conditions:

Cooling(T1): - Indoor Temperature 27°C(80.6°F) DB /19 °C(66.2°F) WB
 -Outdoor Temperature 35 °C(95°F) DB /24 °C(75.2°F) WB
 -Interconnecting Piping Length 5m
 - Level Difference of Zero.

Heating: - Indoor Temperature 20°C(68°F) DB / 15°C(59°F) WB
 -Outdoor Temperature 7°C(44.6°F) DB / 6°C(42.8°F) WB
 - Interconnecting Piping Length 5 m
 - Level Difference of Zero.

2) Capacities are Net Capacities.

3) Due to our policy of innovation some specifications may be changed without notification.

Indoor Model			AR18TXHQASINEU	AR24TXHQASINEU
Outdoor Model			AR18TXHQASIXEU	AR24TXHQASIXEU
Power supply	V- Ph-Hz		220~240-1-50	220~240-1-50
Rated Cooling Capacity	Btu/h		18000(6200~20900)	24000(7100~27120)
Cooling Power input	W		1539(140~2360)	2345(160~2960)
Cooling Current	A		6.9(0.6~10.3)	10.4(0.7~13.3)
Rated Heating Capacity	Btu/h		18000(4700~23000)	25000(5500~30000)
Heating Power input	W		1480(200~2410)	2700(260~3140)
Heating Current	A		6.4(0.9~10.5)	11.7(1.1~13.3)
Seasonal Cooling	Pdesignc	kW	5.2	7.0
	SEER	W/W	7.1	6.1
	Energy Efficiency Class		A++	A++
Heating(Average)	Pdesignh	kW	4.1	4.8
	SCOP	W/W	4.0	3.9
	Energy Efficiency Class		A+	A
	Tbiv	°C	-7	-7
Tol	°C		-15	-15
Max. input consumption	W		2950	3850
Max. current	A		13.5	17.5
Compressor	Model		KSN140D21UFZ	KTF235D22UMT
	Type		ROTARY	ROTARY
	Brand		GMCC	GMCC
	Capacity	W	4385	7650
	Input	W	1140	2065
	Rated current(RLA)	A	7.50	9.4
	Locked rotor Amp(LRA)	A	/	/
	Thermal protector		/	/
	Thermal protector position		/	/
	Capacitor	uF	/	/
	Refrigerant oil/oil charge	ml	VG74 440	RB74A F/670
Indoor fan motor	Model		ZKFP-30-8-3	ZKFP-58-8-1
	Output	W	30	58
	Capacitor	uF	/	/
	Speed(Hi/Mi/Lo)	r/min	1200 / 1000 / 750	1150 / 1000 / 850
Indoor coil	Number of rows		2.0	2.0
	Tube pitch(a)x row pitch(b)	mm	21x13.37	21x13.37
	Fin spacing	mm	1.2	1.3
	Fin type (code)		Hydrophilic aluminum	Hydrophilic aluminum
	Tube outside dia.and type	mm	Φ7,Inner groove tube	Φ7,Inner groove tube
	Coil length x height x width	mm	750x294x26.74	780x315x26.74
	Number of circuits		3	4
Indoor air flow (Hi/Mi/Lo)	m3/h		840/680/540	980/817/662
Indoor sound pressure level (Hi/Mi/Lo)	dB(A)		45/37	47/37
Indoor sound power level	dB(A)		55	59

Indoor unit	Dimension(W*D*H)	mm	957x213x302	1040x220x327
	Packing (W*D*H)	mm	1045x305x380	1130x405x310
	Net/Gross weight	Kg	10.5/15.1	12.5/18.8
Outdoor fan motor	Model		ZKFN-34-8-1	ZKFN-50-8-2
	Output	W	34	50
	Capacitor	uF	/	/
	Speed	r/min	980/850/800/750/700	850/700/550
Outdoor coil	Number of rows		2.0	2.0
	Tube pitch(a)x row pitch(b)	mm	21x22	25.4x22
	Fin spacing	mm	1.2	1.4
	Fin type (code)		Hydrophilic aluminum	Hydrophilic aluminum
	Tube outside dia.and type	mm	Φ7,Inner groove tube	Φ9.52,Inner groove tube
	Coil length x height x width	mm	860x504x44	730x660x44
	Number of circuits		4	4
Outdoor air flow		m ³ /h	2500	3000
Outdoor sound pressure level		dB(A)	56	60
Outdoor sound power level		dB(A)	63	68
Outdoor unit	Dimension(W*D*H)	mm	800x333x554	845x363x702
	Packing (W*D*H)	mm	920x390x615	965x395x765
	Net/Gross weight	Kg	34/36.7	52/56
Refrigerant	Type		R32	R32
	GWP		675	675
	Charged quantity	Kg	1	1.6
Design pressure		MPa	4.3/1.7	4.3/1.7
Refrigerant piping	Liquid side/ Gas side	mm(inch)	Φ6.35/Φ12.7(1/4"/1/2")	Φ9.52/Φ15.9(3/8"/5/8")
	Max. refrigerant pipe length	m	30	50
	Max. difference in level	m	20	25
Connection wiring			1.5x5Core	2.5x5Core
Plug type			no-plug	no-plug
Thermostat type			Remote Control	Remote Control
Operation temperature			17-32	17-32
Ambient temperature	Indoor(cooling/ heating)	°C	17-32/0-30	17-32/0-30
	Outdoor(cooling/heating)	°C	-10-46/-15-24	-10-46/-15-24
Qty/per 20' /40' /40'HQ			80/150/170	64/120/140

Notes:

1) Capacities are based on the following conditions:

Cooling(T1): - Indoor Temperature 27°C(80.6°F) DB /19 °C(66.2°F) WB
 -Outdoor Temperature 35 °C(95°F) DB /24 °C(75.2°F) WB
 -Interconnecting Piping Length 5m
 - Level Difference of Zero.

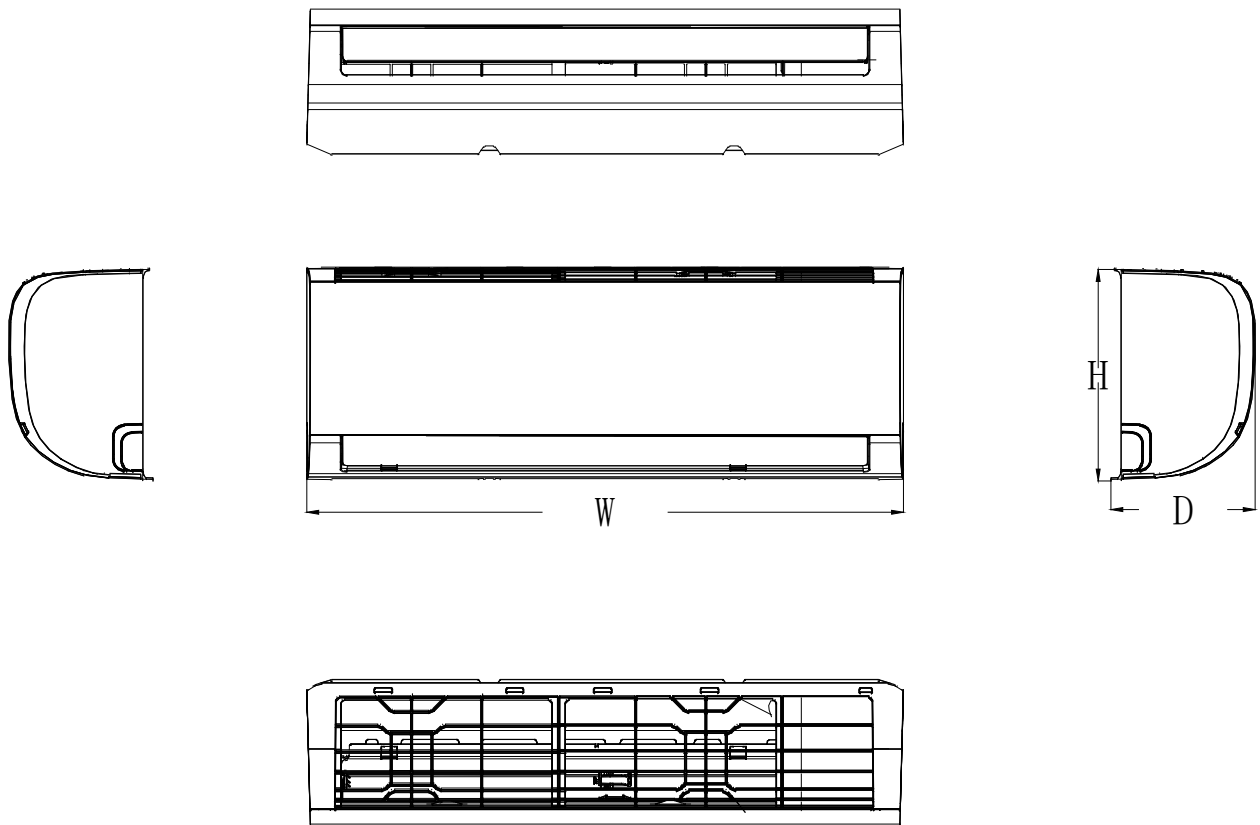
Heating: - Indoor Temperature 20°C(68°F) DB / 15°C(59°F) WB
 -Outdoor Temperature 7°C(44.6°F) DB / 6°C(42.8°F) WB
 - Interconnecting Piping Length 5 m
 - Level Difference of Zero.

2) Capacities are Net Capacities.

3) Due to our policy of innovation some specifications may be changed without notification.

3. Dimensional Drawings

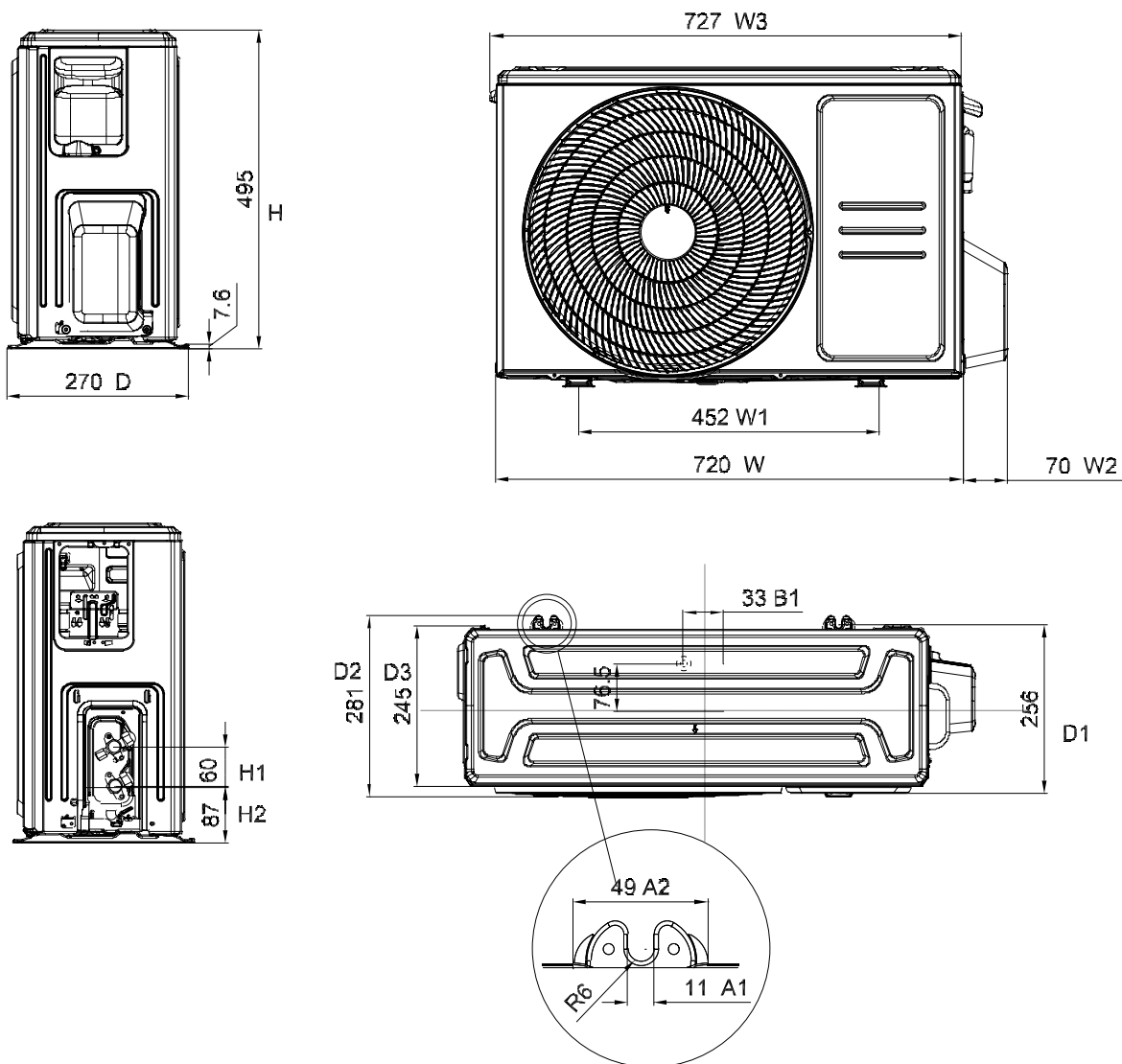
3.1 Indoor Unit



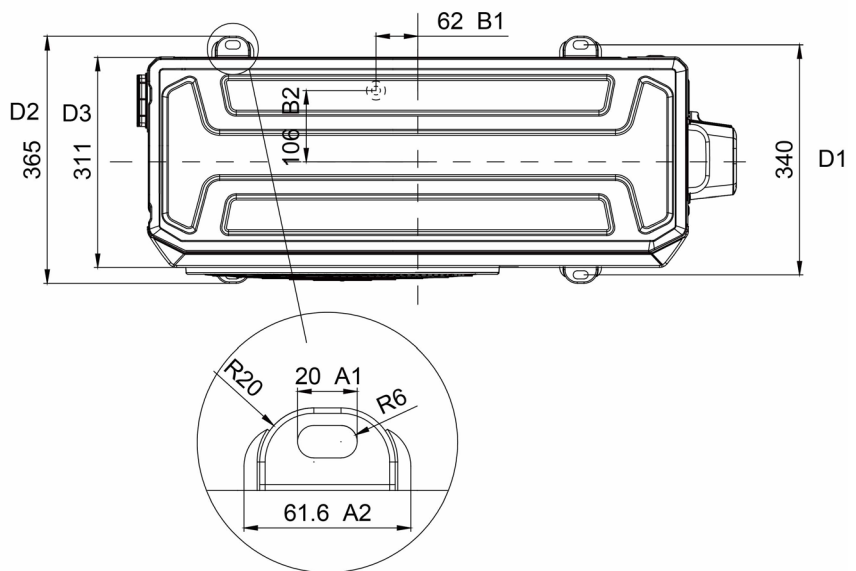
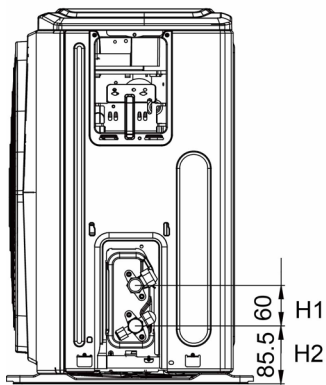
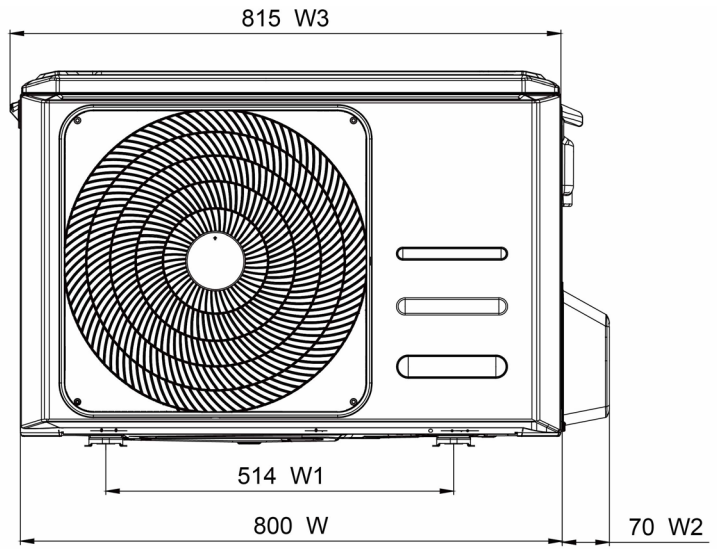
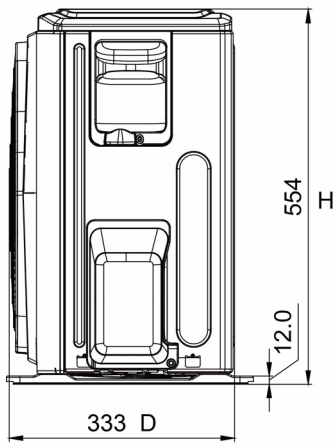
Model Code	W(mm)	D(mm)	H(mm)
AR09TXHQASINEU AR09TXHQBWKNEU AR12TXHQASINEU AR12TXHQBWKNEU	805	194	285
AR18TXHQASINEU	957	213	302
AR24TXHQASINEU	1040	220	327

3.2 Outdoor Unit

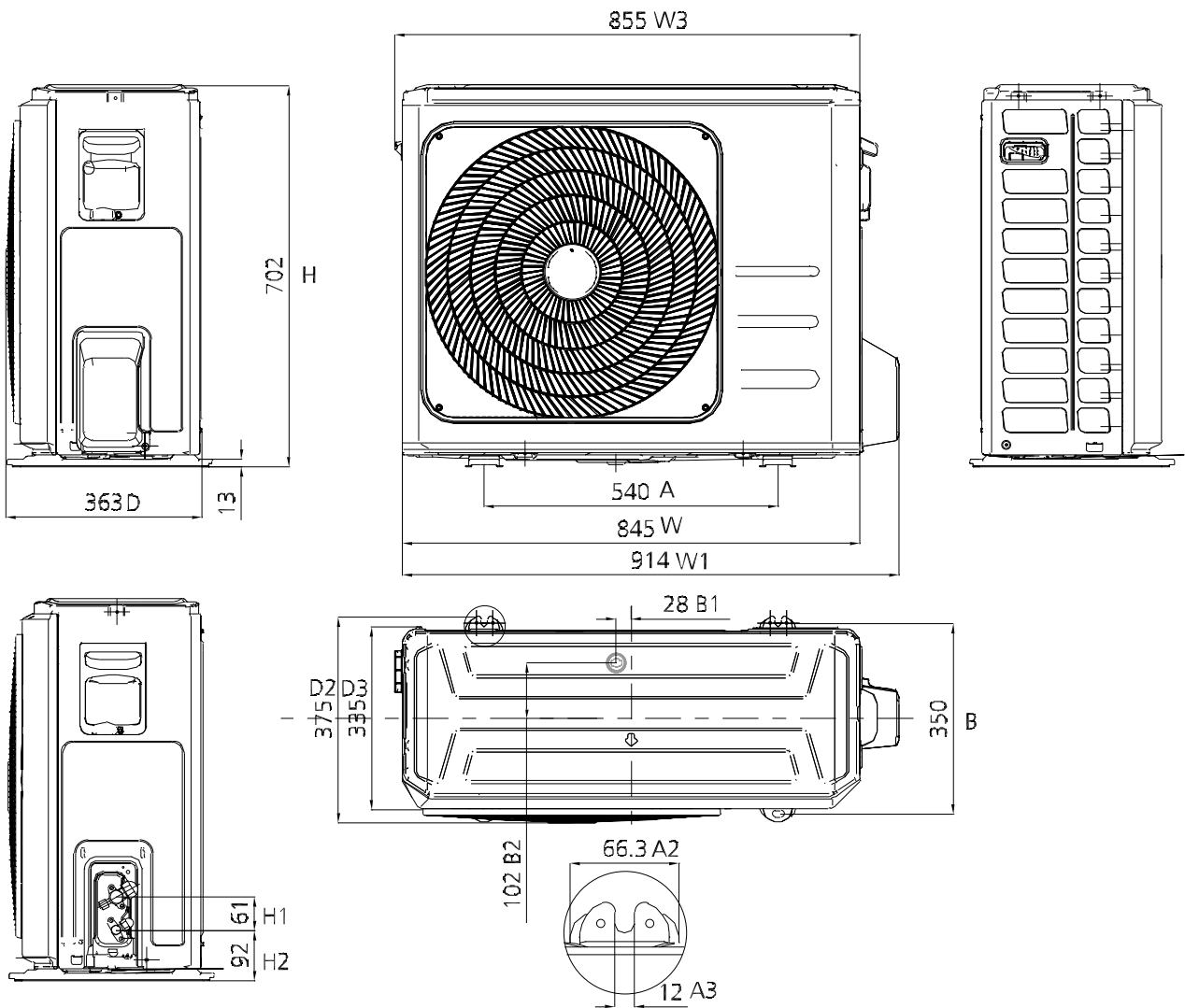
AR09TXHQASIXEU, AR09TXHQBWKXEU, AR12TXHQASIXEU, AR12TXHQBWKXEU



AR18TXHQASIXEU



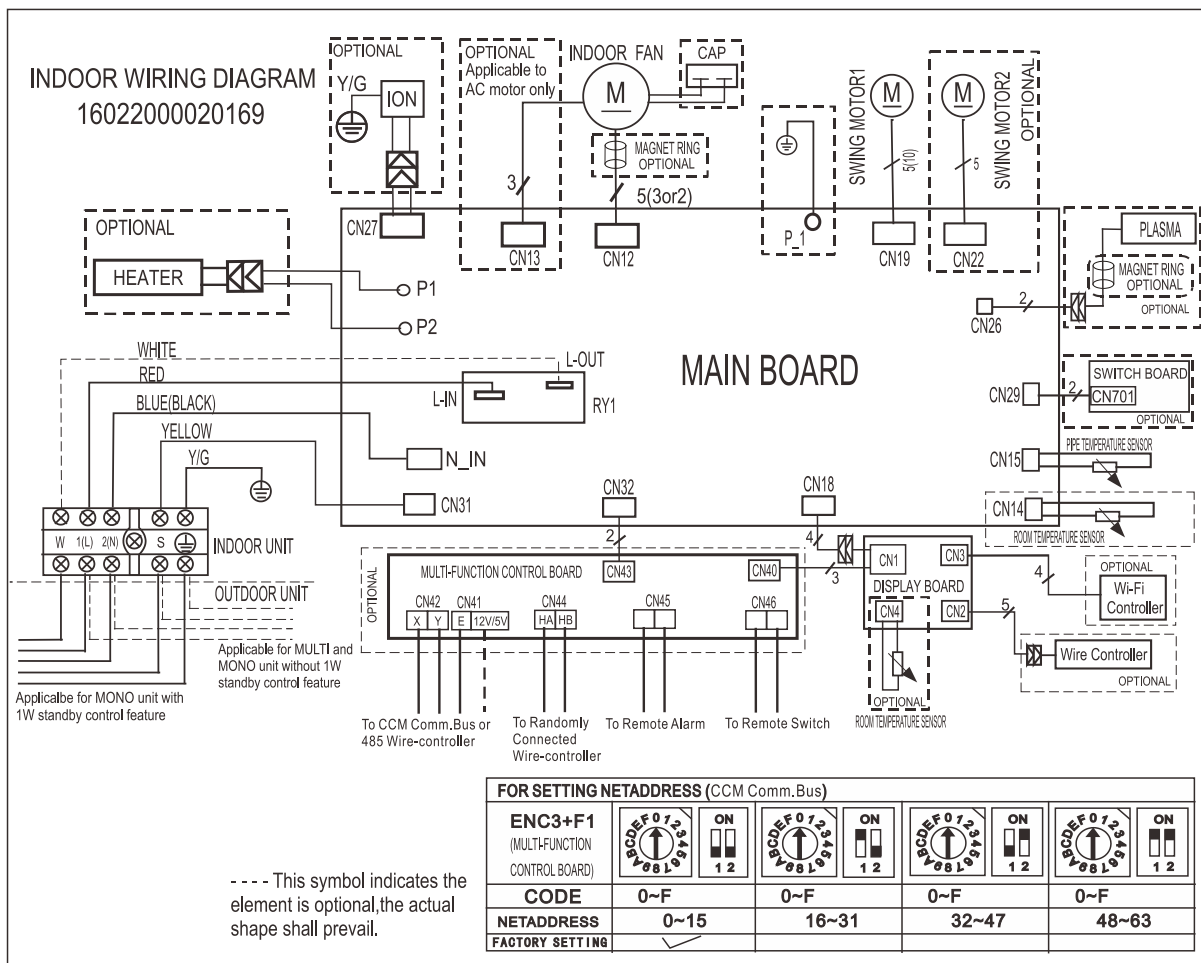
AR24TXHQASIXEU



4. Electrical Wiring Diagrams

4.1 Indoor unit

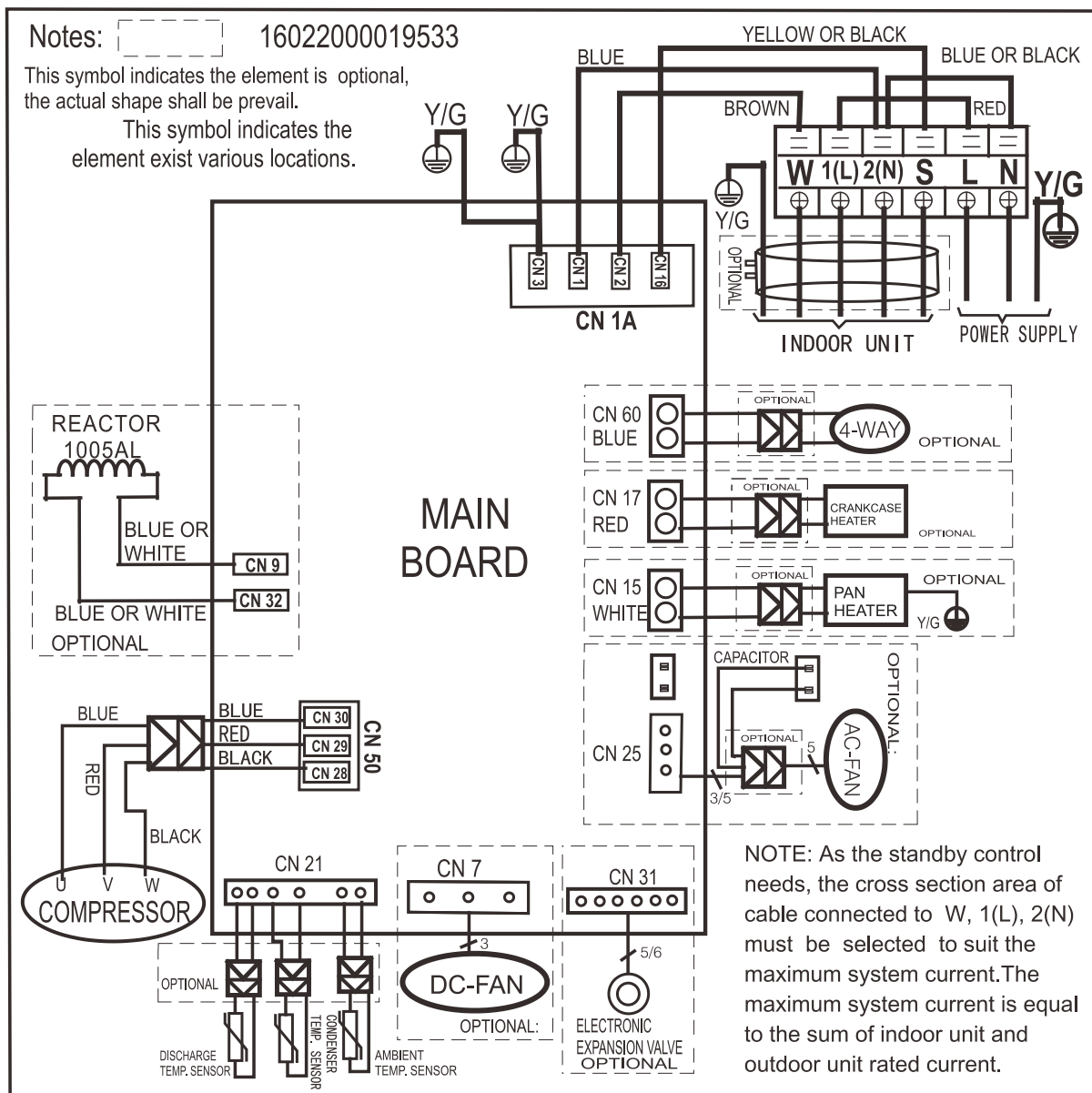
Abbreviation	Paraphrase
Y/G	Yellow-Green Conductor
ION	Positive and Negative Ion Generator
CAP	Capacitor
PLASMA	Electronic Dust Collector
L	LIVE
N	NEUTRAL
T1	Indoor Room Temperature
T2	Coil Temperature of Indoor Heat Exchanger

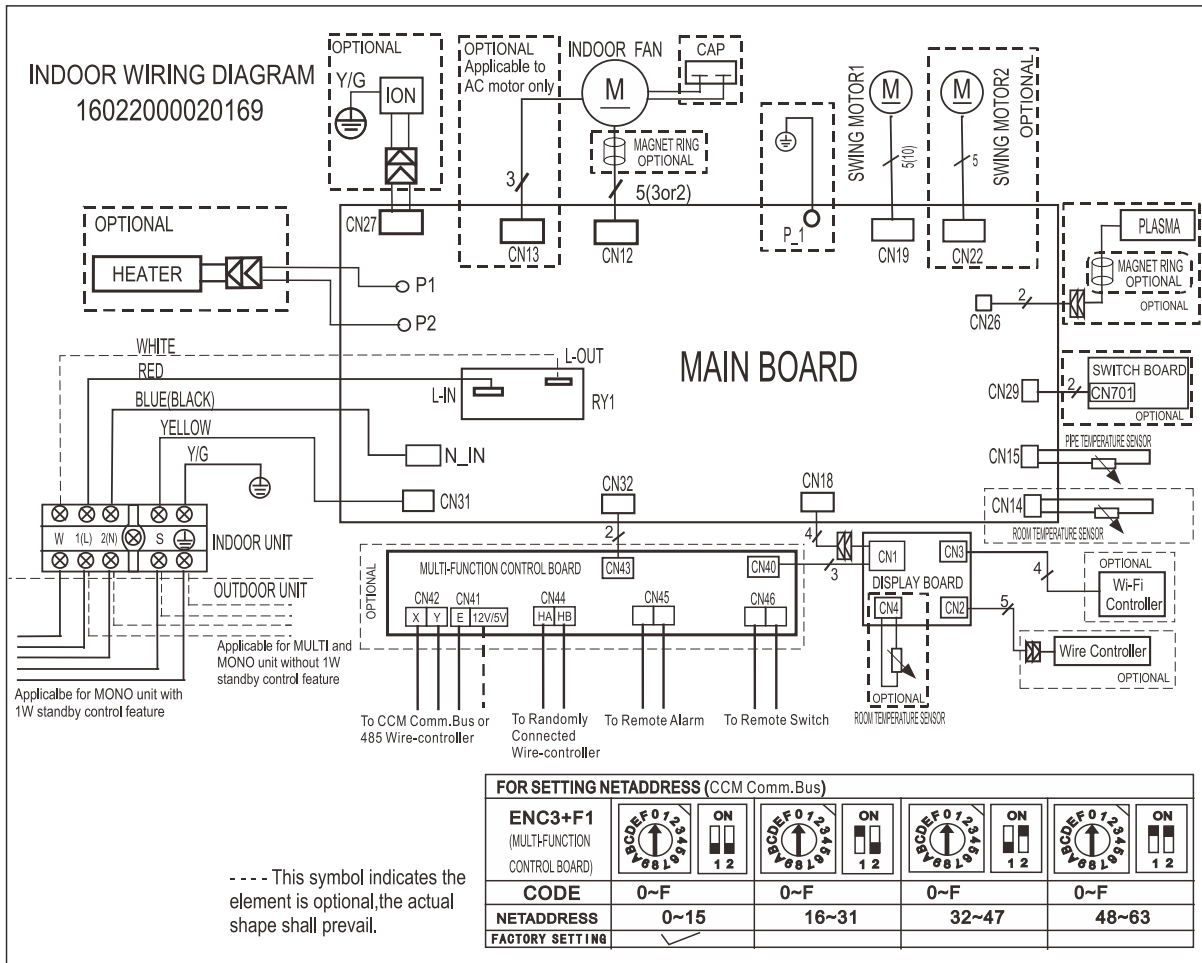


4.2 Outdoor Unit

Abbreviation	Paraphrase
4-WAY	Gas Valve Assembly/4-WAY VALVE
AC-FAN	Alternating Current FAN
DC-FAN	Direct Current FAN
COMP	Compressor

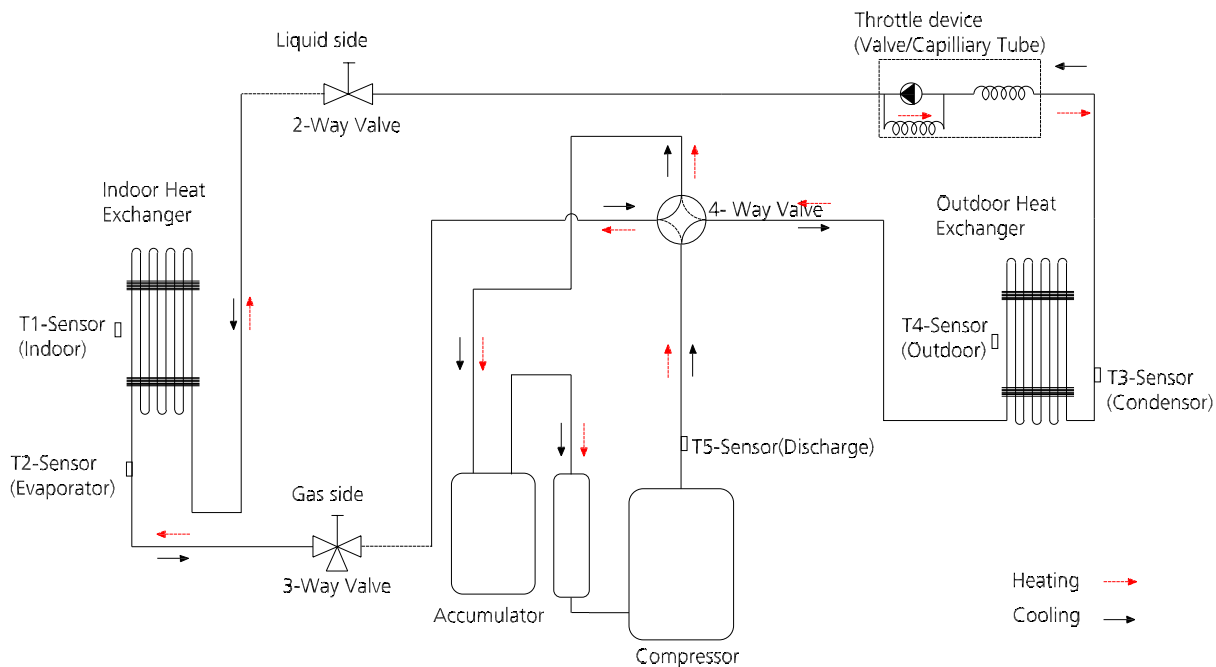
AR09TXHQASIXEU, AR09TXHQBWKXEU, AR12TXHQASIXEU, AR12TXHQBWKXEU, AR18TXHQASIXEU





5. Refrigerant Cycle Diagrams

5.1 Heat pump



Capacity(Btu/h).	Pipe Size (Diameter:ø) mm(inch)		Piping length (m/ft)		Elevation (m/ft)		Additional Refrigerant
	Gas	Liquid	Rated	Max.	Rated	Max.	
9K/12K	9.52(3/8)	6.35(1/4)	5/16.4	25/82	0	10/32.8	12g/m (0.13oz/ft)
18K	12.7(1/2)	6.35(1/4)		30m/98.4ft	0	20/65.6	
24K	15.9(5/8)	9.52(3/8)		50/164	0	25/82	

540	-15	TC	3.84	3.84	3.87	3.90	4.02	4.02	4.02	4.02	4.12	4.12	4.12	4.12	4.40	4.40	4.40	4.40
		S/T	0.72	0.82	1.00	1.00	0.57	0.67	0.75	0.98	0.50	0.59	0.68	0.76	0.34	0.42	0.50	0.59
		PI	0.84	0.84	0.84	0.84	0.84	0.84	0.84	0.84	0.84	0.84	0.84	0.84	0.84	0.83	0.83	0.83
	-10	TC	3.82	3.82	3.85	3.88	3.99	3.99	3.99	3.99	4.10	4.10	4.10	4.10	4.38	4.38	4.38	4.38
		S/T	0.73	0.82	1.00	1.00	0.57	0.67	0.76	0.98	0.50	0.59	0.68	0.77	0.34	0.43	0.50	0.59
		PI	0.83	0.83	0.83	0.83	0.84	0.84	0.84	0.84	0.84	0.84	0.84	0.84	0.84	0.83	0.83	0.83
	-5	TC	3.79	3.79	3.82	3.85	3.98	3.98	3.98	3.98	4.08	4.08	4.08	4.08	4.37	4.37	4.37	4.37
		S/T	0.73	0.83	1.00	1.00	0.58	0.67	0.76	0.99	0.51	0.59	0.68	0.77	0.34	0.43	0.51	0.59
		PI	0.83	0.83	0.83	0.83	0.84	0.84	0.84	0.84	0.84	0.84	0.84	0.84	0.84	0.84	0.84	0.84
	0	TC	3.77	3.77	3.80	3.83	3.96	3.96	3.96	3.96	4.07	4.07	4.07	4.07	4.37	4.37	4.37	4.37
		S/T	0.74	0.83	1.00	1.00	0.58	0.68	0.76	0.99	0.51	0.60	0.69	0.77	0.34	0.43	0.51	0.60
		PI	0.84	0.84	0.84	0.84	0.84	0.84	0.84	0.84	0.84	0.84	0.84	0.84	0.84	0.84	0.84	0.84
	5	TC	3.76	3.76	3.79	3.82	3.95	3.95	3.95	3.95	4.06	4.06	4.06	4.06	4.36	4.36	4.36	4.36
		S/T	0.74	0.84	1.00	1.00	0.58	0.68	0.77	1.00	0.51	0.60	0.69	0.78	0.34	0.43	0.51	0.60
		PI	0.84	0.84	0.84	0.84	0.85	0.85	0.85	0.85	0.85	0.85	0.85	0.85	0.84	0.84	0.84	0.84
	10	TC	3.73	3.73	3.76	3.79	3.93	3.93	3.93	3.93	4.04	4.04	4.04	4.04	4.35	4.35	4.35	4.35
		S/T	0.74	0.84	1.00	1.00	0.58	0.68	0.77	1.00	0.51	0.60	0.69	0.78	0.35	0.44	0.51	0.60
		PI	0.86	0.86	0.86	0.86	0.86	0.86	0.86	0.86	0.86	0.86	0.86	0.86	0.86	0.86	0.86	0.86
	15	TC	3.70	3.70	3.73	3.76	3.90	3.90	3.90	3.90	4.02	4.02	4.02	4.02	4.33	4.33	4.33	4.33
		S/T	0.75	0.85	0.94	1.00	0.59	0.69	0.78	0.88	0.52	0.61	0.70	0.79	0.35	0.44	0.52	0.61
		PI	0.88	0.88	0.88	0.88	0.88	0.88	0.88	0.88	0.88	0.88	0.88	0.88	0.88	0.87	0.87	0.87
	20	TC	3.66	3.66	3.69	3.72	3.86	3.86	3.86	3.86	3.98	3.98	3.98	3.98	4.30	4.30	4.30	4.30
		S/T	0.75	0.85	0.94	1.00	0.59	0.69	0.78	0.88	0.52	0.61	0.70	0.79	0.35	0.44	0.52	0.61
		PI	0.91	0.91	0.91	0.91	0.91	0.91	0.91	0.91	0.91	0.91	0.91	0.91	0.90	0.90	0.90	0.90
	25	TC	3.49	3.49	3.52	3.55	3.69	3.69	3.69	3.72	3.81	3.81	3.81	3.81	4.09	4.09	4.09	4.09
		S/T	0.76	0.86	0.96	1.00	0.60	0.70	0.80	0.89	0.52	0.62	0.71	0.81	0.35	0.44	0.53	0.62
		PI	1.01	1.01	1.01	1.01	1.01	1.01	1.01	1.01	1.01	1.01	1.01	1.01	1.01	1.01	1.01	1.01
	30	TC	3.32	3.32	3.34	3.37	3.55	3.55	3.55	3.57	3.63	3.63	3.63	3.63	3.92	3.92	3.92	3.92
		S/T	0.77	0.88	0.99	1.00	0.60	0.71	0.81	0.91	0.53	0.63	0.73	0.83	0.35	0.44	0.53	0.62
		PI	1.11	1.11	1.11	1.11	1.11	1.11	1.11	1.11	1.11	1.11	1.11	1.11	1.11	1.11	1.11	1.11
	35	TC	3.14	3.17	3.20	3.23	3.37	3.37	3.37	3.40	3.46	3.46	3.52	3.46	3.75	3.75	3.75	3.75
		S/T	0.79	0.90	1.00	1.00	0.61	0.72	0.83	0.93	0.53	0.63	0.74	0.85	0.34	0.44	0.54	0.63
		PI	1.20	1.20	1.20	1.20	1.21	1.21	1.21	1.21	1.21	1.21	1.21	1.21	1.22	1.22	1.22	1.22
	40	TC	2.92	2.95	2.98	3.01	3.14	3.14	3.14	3.17	3.22	3.22	3.25	3.24	3.50	3.50	3.50	3.50
		S/T	0.81	0.94	1.00	1.00	0.63	0.75	0.86	0.98	0.54	0.65	0.77	0.88	0.34	0.44	0.55	0.90
		PI	1.33	1.33	1.33	1.33	1.34	1.34	1.34	1.34	1.34	1.34	1.34	1.34	1.35	1.35	1.35	1.35
	46	TC	2.71	2.73	2.76	2.79	2.90	2.90	2.90	2.93	2.99	2.99	2.99	3.02	3.25	3.25	3.25	3.25
		S/T	0.83	0.96	1.00	1.00	0.63	0.76	0.88	1.00	0.54	0.66	0.78	0.90	0.34	0.45	0.56	0.92
		PI	1.48	1.48	1.48	1.48	1.49	1.49	1.49	1.49	1.49	1.49	1.49	1.49	1.50	1.50	1.50	1.50
	50	TC	2.56	2.59	2.62	2.65	2.73	2.73	2.76	2.79	2.82	2.82	2.82	2.85	3.05	3.05	3.05	3.05
		S/T	0.85	0.99	1.00	1.00	0.64	0.78	0.90	1.00	0.55	0.68	0.80	0.93	0.33	0.45	0.57	0.97
		PI	1.61	1.61	1.61	1.61	1.61	1.61	1.61	1.61	1.62	1.62	1.62	1.62	1.63	1.63	1.63	1.63

TC:Total Cooling Capacity (kW)

S/T:Sensible Cooling Capacity Ratio

PI:Power Input(kW)

Note: The table shows the case where the operation frequency of a compressor is fixed.

840	-15	TC	5.74	5.74	5.80	5.86	6.05	6.05	6.05	6.11	6.20	6.20	6.20	6.20	6.57	6.57	6.57	6.57
		S/T	0.73	0.83	1.00	1.00	0.58	0.67	0.76	0.98	0.50	0.60	0.69	0.77	0.34	0.42	0.50	0.59
		PI	1.07	1.07	1.07	1.07	1.07	1.07	1.07	1.07	1.07	1.06	1.06	1.06	1.06	1.06	1.06	1.06
	-10	TC	5.71	5.71	5.77	5.83	6.02	6.02	6.02	6.08	6.17	6.17	6.17	6.17	6.55	6.55	6.55	6.55
		S/T	0.74	0.83	1.00	1.00	0.58	0.67	0.77	0.98	0.50	0.60	0.69	0.78	0.34	0.43	0.50	0.59
		PI	1.06	1.06	1.06	1.06	1.06	1.06	1.06	1.06	1.06	1.06	1.06	1.06	1.06	1.06	1.06	1.06
	-5	TC	5.67	5.67	5.73	5.79	6.00	6.00	6.00	6.06	6.15	6.15	6.15	6.15	6.53	6.53	6.53	6.53
		S/T	0.74	0.84	1.00	1.00	0.59	0.67	0.77	0.99	0.51	0.60	0.69	0.78	0.34	0.43	0.51	0.59
		PI	1.06	1.06	1.06	1.06	1.06	1.06	1.06	1.06	1.06	1.06	1.06	1.06	1.06	1.06	1.06	1.06
	0	TC	5.65	5.65	5.71	5.76	5.97	5.97	5.97	6.03	6.13	6.13	6.13	6.13	6.53	6.53	6.53	6.53
		S/T	0.74	0.84	1.00	1.00	0.59	0.68	0.77	0.99	0.51	0.61	0.70	0.78	0.34	0.43	0.51	0.60
		PI	1.06	1.06	1.06	1.06	1.07	1.07	1.07	1.07	1.06	1.06	1.06	1.06	1.07	1.07	1.07	1.07
	5	TC	5.62	5.62	5.68	5.74	5.95	5.95	5.95	6.01	6.11	6.11	6.11	6.11	6.52	6.52	6.52	6.52
		S/T	0.75	0.85	1.00	1.00	0.59	0.68	0.78	1.00	0.51	0.61	0.70	0.79	0.34	0.43	0.51	0.60
		PI	1.07	1.07	1.07	1.07	1.08	1.08	1.08	1.08	1.07	1.07	1.07	1.07	1.08	1.08	1.08	1.08
	10	TC	5.58	5.58	5.64	5.70	5.92	5.92	5.92	5.98	6.09	6.09	6.09	6.09	6.51	6.51	6.51	6.51
		S/T	0.75	0.85	1.00	1.00	0.59	0.68	0.78	1.00	0.51	0.61	0.70	0.79	0.35	0.44	0.51	0.60
		PI	1.09	1.09	1.09	1.09	1.09	1.09	1.09	1.09	1.09	1.09	1.09	1.09	1.09	1.09	1.09	1.09
	15	TC	5.54	5.54	5.60	5.65	5.88	5.88	5.88	5.94	6.05	6.05	6.05	6.05	6.48	6.48	6.48	6.48
		S/T	0.76	0.86	0.96	1.00	0.60	0.69	0.79	0.88	0.52	0.62	0.71	0.80	0.35	0.44	0.52	0.61
		PI	1.12	1.12	1.12	1.12	1.12	1.12	1.12	1.12	1.11	1.11	1.11	1.11	1.11	1.11	1.11	1.11
	20	TC	5.48	5.48	5.53	5.59	5.82	5.82	5.82	5.88	5.99	5.99	5.99	5.99	6.42	6.42	6.42	6.42
		S/T	0.76	0.86	0.96	1.00	0.60	0.69	0.79	0.88	0.52	0.62	0.71	0.80	0.35	0.44	0.52	0.61
		PI	1.16	1.16	1.16	1.16	1.16	1.16	1.16	1.16	1.15	1.15	1.15	1.15	1.15	1.15	1.15	1.15
25	TC	5.22	5.22	5.28	5.33	5.56	5.56	5.56	5.62	5.73	5.73	5.73	5.73	6.16	6.16	6.16	6.16	
	S/T	0.77	0.88	0.98	1.00	0.60	0.70	0.80	0.90	0.52	0.62	0.72	0.82	0.35	0.44	0.53	0.62	
	PI	1.27	1.27	1.27	1.27	1.27	1.27	1.27	1.27	1.27	1.27	1.27	1.27	1.27	1.27	1.27	1.27	
30	TC	4.99	5.05	5.10	5.16	5.30	5.30	5.30	5.36	5.45	5.45	5.45	5.45	5.88	5.88	5.88	5.88	
	S/T	0.78	0.89	1.00	1.00	0.61	0.71	0.82	0.92	0.53	0.63	0.73	0.84	0.34	0.44	0.54	0.63	
	PI	1.40	1.40	1.40	1.40	1.40	1.40	1.40	1.40	1.40	1.40	1.40	1.40	1.41	1.41	1.41	1.41	
35	TC	4.73	4.79	4.85	4.90	5.05	5.05	5.05	5.10	5.19	5.19	5.28	5.19	5.59	5.59	5.59	5.59	
	S/T	0.80	0.91	1.00	1.00	0.62	0.73	0.84	0.94	0.53	0.64	0.74	0.86	0.34	0.44	0.54	0.64	
	PI	1.53	1.53	1.53	1.53	1.53	1.53	1.53	1.53	1.54	1.54	1.54	1.54	1.55	1.55	1.55	1.55	
40	TC	4.39	4.43	4.47	4.52	4.68	4.68	4.71	4.77	4.82	4.82	4.87	4.85	5.21	5.21	5.21	5.21	
	S/T	0.83	0.95	1.00	1.00	0.63	0.75	0.88	0.99	0.54	0.66	0.78	0.89	0.34	0.45	0.55	0.90	
	PI	1.68	1.68	1.68	1.68	1.69	1.69	1.69	1.69	1.70	1.70	1.70	1.70	1.71	1.71	1.71	1.71	
46	TC	4.06	4.09	4.12	4.15	4.35	4.35	4.40	4.46	4.49	4.49	4.49	4.54	4.85	4.85	4.85	4.85	
	S/T	0.84	0.97	1.00	1.00	0.64	0.77	0.89	1.00	0.55	0.67	0.79	0.91	0.33	0.45	0.56	0.92	
	PI	1.87	1.87	1.87	1.87	1.88	1.88	1.88	1.88	1.89	1.89	1.89	1.89	1.90	1.90	1.90	1.90	
50	TC	3.81	3.84	3.87	3.89	4.06	4.06	4.09	4.12	4.20	4.20	4.20	4.23	4.57	4.57	4.57	4.57	
	S/T	0.87	1.00	1.00	1.00	0.65	0.79	0.92	1.00	0.55	0.68	0.82	0.95	0.33	0.45	0.57	0.97	
	PI	2.03	2.03	2.03	2.03	2.04	2.04	2.04	2.04	2.05	2.05	2.05	2.05	2.06	2.06	2.06	2.06	

TC:Total Cooling Capacity (kW)

S/T:Sensible Cooling Capacity Ratio

PI:Power Input(kW)

Note: The table shows the case where the operation frequency of a compressor is fixed.

980	-15	TC	7.68	7.68	7.77	7.86	8.06	8.06	8.06	8.06	8.26	8.26	8.26	8.26	8.79	8.79	8.79	8.79
		S/T	0.70	0.79	1.00	1.00	0.56	0.65	0.72	0.98	0.50	0.58	0.66	0.73	0.35	0.42	0.49	0.57
		PI	1.63	1.63	1.63	1.63	1.62	1.62	1.62	1.62	1.62	1.62	1.62	1.62	1.62	1.62	1.62	1.62
	-10	TC	7.63	7.63	7.72	7.81	8.02	8.02	8.02	8.02	8.22	8.22	8.22	8.22	8.76	8.76	8.76	8.76
		S/T	0.71	0.80	1.00	1.00	0.56	0.65	0.73	0.98	0.50	0.58	0.66	0.74	0.35	0.43	0.49	0.57
		PI	1.62	1.62	1.62	1.62	1.62	1.62	1.62	1.62	1.62	1.62	1.62	1.62	1.62	1.62	1.62	1.62
	-5	TC	7.59	7.59	7.68	7.77	7.99	7.99	7.99	7.99	8.19	8.19	8.19	8.19	8.73	8.73	8.73	8.73
		S/T	0.71	0.80	1.00	1.00	0.57	0.65	0.73	0.99	0.51	0.59	0.66	0.74	0.35	0.43	0.50	0.58
		PI	1.62	1.62	1.62	1.62	1.61	1.61	1.61	1.61	1.62	1.62	1.62	1.62	1.62	1.62	1.62	1.62
	0	TC	7.55	7.55	7.64	7.73	7.96	7.96	7.96	7.96	8.17	8.17	8.17	8.17	8.73	8.73	8.73	8.73
		S/T	0.72	0.80	1.00	1.00	0.57	0.66	0.74	0.99	0.51	0.59	0.67	0.74	0.35	0.43	0.50	0.58
		PI	1.62	1.62	1.62	1.62	1.62	1.62	1.62	1.62	1.62	1.62	1.62	1.62	1.63	1.63	1.63	1.63
	5	TC	7.51	7.51	7.60	7.69	7.93	7.93	7.93	7.93	8.14	8.14	8.14	8.14	8.72	8.72	8.72	8.72
		S/T	0.72	0.81	1.00	1.00	0.57	0.66	0.74	1.00	0.51	0.59	0.67	0.75	0.35	0.43	0.50	0.58
		PI	1.64	1.64	1.64	1.64	1.63	1.63	1.63	1.63	1.64	1.64	1.64	1.64	1.64	1.64	1.64	1.64
	10	TC	7.47	7.47	7.55	7.64	7.89	7.89	7.89	7.89	8.11	8.11	8.11	8.11	8.70	8.70	8.70	8.70
		S/T	0.72	0.81	1.00	1.00	0.57	0.66	0.74	1.00	0.51	0.59	0.67	0.75	0.36	0.44	0.50	0.58
		PI	1.67	1.67	1.67	1.67	1.66	1.66	1.66	1.66	1.66	1.66	1.66	1.66	1.66	1.66	1.66	1.66
	15	TC	7.40	7.40	7.49	7.58	7.83	7.83	7.83	7.83	8.06	8.06	8.06	8.06	8.66	8.66	8.66	8.66
		S/T	0.73	0.82	0.90	0.99	0.58	0.67	0.75	0.84	0.52	0.60	0.68	0.76	0.36	0.44	0.51	0.59
		PI	1.71	1.71	1.71	1.71	1.70	1.70	1.70	1.70	1.70	1.70	1.70	1.70	1.70	1.70	1.70	1.70
	20	TC	7.32	7.32	7.41	7.49	7.75	7.75	7.75	7.75	7.98	7.98	7.98	7.98	8.58	8.58	8.58	8.58
		S/T	0.73	0.82	0.90	0.99	0.58	0.67	0.75	0.84	0.52	0.60	0.68	0.76	0.36	0.44	0.51	0.59
		PI	1.77	1.77	1.77	1.77	1.76	1.76	1.76	1.76	1.76	1.76	1.76	1.76	1.75	1.75	1.75	1.75
	25	TC	6.98	6.98	7.03	7.09	7.41	7.41	7.41	7.41	7.64	7.64	7.64	7.64	8.21	8.21	8.21	8.21
		S/T	0.74	0.83	0.92	1.00	0.59	0.68	0.76	0.85	0.52	0.60	0.69	0.78	0.36	0.44	0.52	0.60
		PI	1.94	1.94	1.94	1.94	1.94	1.94	1.94	1.94	1.94	1.94	1.94	1.94	1.94	1.94	1.94	1.94
	30	TC	6.63	6.63	6.69	6.75	7.06	7.06	7.06	7.06	7.29	7.29	7.29	7.29	7.84	7.84	7.84	7.84
		S/T	0.75	0.85	0.94	1.00	0.59	0.68	0.78	0.87	0.52	0.61	0.70	0.79	0.35	0.44	0.52	0.60
		PI	2.13	2.13	2.13	2.13	2.13	2.13	2.13	2.13	2.14	2.14	2.14	2.14	2.15	2.15	2.15	2.15
	35	TC	6.32	6.32	6.37	6.43	6.72	6.72	6.72	6.78	6.92	6.92	7.03	6.92	7.46	7.46	7.46	7.46
		S/T	0.76	0.86	0.96	1.00	0.60	0.70	0.79	0.89	0.52	0.62	0.71	0.81	0.35	0.44	0.53	0.61
		PI	2.33	2.33	2.33	2.33	2.33	2.33	2.33	2.33	2.34	2.34	2.34	2.34	2.35	2.35	2.35	2.35
	40	TC	5.96	5.99	6.04	6.10	6.35	6.35	6.35	6.41	6.54	6.54	6.60	6.54	7.07	7.07	7.07	7.07
		S/T	0.79	0.90	1.00	1.00	0.61	0.72	0.83	0.93	0.53	0.63	0.74	0.84	0.34	0.44	0.54	0.90
		PI	2.57	2.57	2.57	2.57	2.59	2.59	2.59	2.59	2.59	2.59	2.59	2.59	2.61	2.61	2.61	2.61
	46	TC	5.52	5.58	5.64	5.69	5.89	5.89	5.89	5.95	6.07	6.07	6.07	6.07	6.58	6.58	6.58	6.58
		S/T	0.80	0.91	1.00	1.00	0.62	0.73	0.84	0.95	0.53	0.64	0.75	0.86	0.34	0.44	0.54	0.92
		PI	2.86	2.86	2.86	2.86	2.88	2.88	2.88	2.88	2.88	2.88	2.88	2.88	2.91	2.91	2.91	2.91
	50	TC	5.18	5.23	5.29	5.35	5.52	5.52	5.52	5.58	5.72	5.72	5.72	5.72	6.18	6.18	6.18	6.18
		S/T	0.82	0.94	1.00	1.00	0.63	0.75	0.87	0.98	0.54	0.65	0.77	0.88	0.34	0.44	0.55	0.97
		PI	3.10	3.10	3.10	3.10	3.12	3.12	3.12	3.12	3.13	3.13	3.13	3.13	3.15	3.15	3.15	3.15

TC:Total Cooling Capacity (kW)

S/T:Sensible Cooling Capacity Ratio

PI:Power Input(kW)

Note: The table shows the case where the operation frequency of a compressor is fixed.

6.2 Heating

AR09TXHQASI/EU, AR09TXHQBWK/EU								[SI_Unit]	
INDOOR AIRFLOW (CMH)	HEATING PERFORMANCE AT INDOOR DRY BULB TEMPERATURE								
	OUTDOOR DB(°C)	TC:TOTAL CAPACITY IN KILOWATTS (KW)				PI:TOTAL POWER IN KILOWATTS (KW)			
		Indoor Conditions (DB °C)				Indoor Conditions (DB °C)			
		16.0	20.0	22.0	24.0	16.0	20.0	22.0	24.0
325	-15.0	2.55	2.53	2.53	2.53	0.86	0.90	0.88	0.88
	-10.0	2.73	2.70	2.70	2.70	0.92	0.96	0.94	0.94
	-7.0	2.86	2.83	2.83	2.83	0.98	1.02	1.00	1.00
	-5.6	2.80	2.77	2.77	2.77	0.96	0.96	0.97	0.97
	-2.8	2.77	2.74	2.71	2.71	0.91	0.91	0.91	0.92
	0.0	2.68	2.65	2.62	2.62	0.85	0.86	0.86	0.86
	2.8	2.68	2.65	2.65	2.62	0.81	0.81	0.81	0.81
	5.6	2.77	2.74	2.74	2.71	0.77	0.77	0.77	0.77
	7.0	2.87	2.84	2.84	2.81	0.75	0.72	0.74	0.74
	11.1	2.90	2.87	2.84	2.81	0.68	0.67	0.67	0.67
	13.9	2.90	2.87	2.84	2.81	0.63	0.62	0.62	0.61
	16.7	2.93	2.87	2.84	2.81	0.58	0.57	0.57	0.56
18.0	2.93	2.87	2.84	2.81	0.56	0.55	0.54	0.54	
360	-15.0	2.59	2.57	2.57	2.54	0.87	0.91	0.89	0.89
	-10.0	2.77	2.74	2.74	2.71	0.93	0.97	0.95	0.95
	-7.0	2.90	2.87	2.87	2.84	0.99	1.03	1.01	1.01
	-5.6	2.86	2.83	2.83	2.80	0.96	0.97	0.98	0.98
	-2.8	2.80	2.77	2.77	2.74	0.91	0.92	0.92	0.92
	0.0	2.74	2.71	2.68	2.65	0.86	0.86	0.87	0.87
	2.8	2.74	2.71	2.68	2.68	0.82	0.82	0.82	0.82
	5.6	2.83	2.80	2.77	2.77	0.77	0.77	0.77	0.77
	7.0	2.93	2.90	2.90	2.87	0.75	0.73	0.75	0.75
	11.1	2.96	2.93	2.90	2.87	0.68	0.67	0.67	0.67
	13.9	2.96	2.93	2.90	2.87	0.63	0.62	0.62	0.62
	16.7	2.99	2.93	2.90	2.90	0.58	0.57	0.57	0.56
18.0	2.99	2.93	2.93	2.90	0.56	0.55	0.54	0.54	
466	-15.0	2.58	2.58	2.55	2.55	0.88	0.92	0.90	0.90
	-10.0	2.75	2.75	2.73	2.73	0.94	0.98	0.96	0.96
	-7.0	2.89	2.89	2.86	2.86	1.00	1.04	1.02	1.02
	-5.6	2.86	2.86	2.83	2.83	0.97	0.98	0.99	0.99
	-2.8	2.83	2.80	2.77	2.77	0.92	0.93	0.93	0.93
	0.0	2.74	2.71	2.71	2.68	0.87	0.87	0.87	0.88
	2.8	2.77	2.74	2.71	2.68	0.82	0.83	0.83	0.83
	5.6	2.86	2.83	2.80	2.80	0.78	0.78	0.78	0.78
	7.0	2.96	2.93	2.93	2.90	0.76	0.73	0.75	0.75
	11.1	2.99	2.96	2.93	2.90	0.69	0.68	0.68	0.67
	13.9	3.02	2.96	2.93	2.93	0.64	0.63	0.62	0.62
	16.7	3.02	2.96	2.96	2.93	0.59	0.58	0.57	0.57
18.0	3.02	2.99	2.96	2.93	0.57	0.55	0.55	0.54	

Note: The table shows the case where the operation frequency of a compressor is fixed.

AR12TXHQASI/EU, AR12TXHQBWK/EU								[SI_Unit]	
INDOOR AIRFLOW (CMH)	HEATING PERFORMANCE AT INDOOR DRY BULB TEMPERATURE								
	OUTDOOR DB(°C)	TC:TOTAL CAPACITY IN KILOWATTS (KW)				PI:TOTAL POWER IN KILOWATTS (KW)			
		Indoor Conditions (DB °C)				Indoor Conditions (DB °C)			
		16.0	20.0	22.0	24.0	16.0	20.0	22.0	24.0
314	-15.0	2.19	2.17	2.15	2.15	0.79	0.81	0.83	0.84
	-10.0	2.34	2.32	2.29	2.29	0.84	0.87	0.89	0.89
	-7.0	2.45	2.43	2.40	2.40	0.89	0.92	0.94	0.95
	-5.6	2.60	2.57	2.54	2.54	0.90	0.93	0.95	0.96
	-2.8	2.75	2.72	2.69	2.66	0.92	0.95	0.97	0.98
	0.0	2.83	2.80	2.77	2.77	0.94	0.97	0.99	1.00
	2.8	3.06	3.01	2.98	2.98	0.97	1.00	1.02	1.03
	5.6	3.38	3.32	3.29	3.29	1.00	1.03	1.05	1.06
	7.0	3.76	3.69	3.58	3.55	1.01	1.07	1.07	1.08
	11.1	3.96	3.93	3.90	3.87	1.05	1.08	1.10	1.12
	13.9	4.19	4.13	4.10	4.07	1.07	1.11	1.13	1.15
	16.7	4.39	4.33	4.30	4.28	1.09	1.13	1.15	1.17
18.0	4.51	4.45	4.39	4.36	1.11	1.15	1.17	1.19	
430	-15.0	2.24	2.22	2.19	2.19	0.80	0.82	0.84	0.85
	-10.0	2.39	2.37	2.34	2.34	0.85	0.88	0.89	0.90
	-7.0	2.51	2.48	2.45	2.45	0.90	0.93	0.95	0.96
	-5.6	2.66	2.63	2.60	2.60	0.91	0.94	0.96	0.97
	-2.8	2.80	2.77	2.75	2.72	0.93	0.96	0.98	0.99
	0.0	2.92	2.86	2.83	2.83	0.95	0.98	1.00	1.01
	2.8	3.12	3.09	3.06	3.03	0.97	1.01	1.03	1.04
	5.6	3.44	3.41	3.38	3.35	1.00	1.04	1.06	1.07
	7.0	3.81	3.78	3.66	3.64	1.02	1.08	1.07	1.09
	11.1	4.07	4.01	3.98	3.96	1.06	1.09	1.11	1.13
	13.9	4.28	4.22	4.19	4.16	1.08	1.12	1.14	1.15
	16.7	4.51	4.45	4.42	4.39	1.10	1.14	1.16	1.18
18.0	4.60	4.54	4.51	4.48	1.11	1.15	1.17	1.19	
540	-15.0	2.27	2.25	2.22	2.22	0.80	0.83	0.85	0.86
	-10.0	2.43	2.40	2.37	2.37	0.86	0.89	0.90	0.91
	-7.0	2.54	2.51	2.49	2.49	0.91	0.94	0.96	0.97
	-5.6	2.69	2.66	2.63	2.63	0.92	0.95	0.97	0.98
	-2.8	2.83	2.80	2.77	2.77	0.94	0.97	0.99	1.00
	0.0	2.95	2.89	2.89	2.86	0.96	0.99	1.01	1.02
	2.8	3.15	3.12	3.09	3.06	0.99	1.02	1.04	1.05
	5.6	3.47	3.44	3.41	3.38	1.01	1.05	1.07	1.09
	7.0	3.84	3.81	3.69	3.66	1.03	1.09	1.09	1.10
	11.1	4.10	4.04	4.01	3.98	1.07	1.10	1.12	1.14
	13.9	4.30	4.25	4.22	4.19	1.09	1.13	1.15	1.17
	16.7	4.54	4.48	4.45	4.39	1.11	1.15	1.17	1.19
18.0	4.62	4.57	4.54	4.51	1.13	1.17	1.19	1.21	

Note: The table shows the case where the operation frequency of a compressor is fixed.

ARI8TXHQASI/EU								[SI_Unit]	
INDOOR AIRFLOW (CMH)	HEATING PERFORMANCE AT INDOOR DRY BULB TEMPERATURE								
	OUTDOOR DB(°C)	TC:TOTAL CAPACITY IN KILOWATTS (KW)				PI:TOTAL POWER IN KILOWATTS (KW)			
		Indoor Conditions (DB °C)				Indoor Conditions (DB °C)			
		16.0	20.0	22.0	24.0	16.0	20.0	22.0	24.0
540	-15.0	3.25	3.20	3.17	3.17	1.12	1.15	1.17	1.19
	-10.0	3.47	3.41	3.39	3.39	1.19	1.23	1.25	1.26
	-7.0	3.63	3.58	3.55	3.55	1.26	1.30	1.32	1.34
	-5.6	3.84	3.78	3.75	3.75	1.27	1.31	1.33	1.35
	-2.8	4.04	3.98	3.95	3.93	1.28	1.32	1.34	1.36
	0.0	4.19	4.13	4.10	4.07	1.30	1.34	1.36	1.38
	2.8	4.51	4.45	4.42	4.36	1.33	1.37	1.39	1.42
	5.6	4.97	4.91	4.89	4.83	1.36	1.41	1.43	1.45
	7.0	5.46	5.39	5.22	5.19	1.39	1.46	1.46	1.48
	11.1	5.80	5.71	5.68	5.66	1.43	1.47	1.50	1.52
	13.9	6.12	6.03	5.97	5.95	1.45	1.50	1.52	1.54
	16.7	6.41	6.32	6.29	6.24	1.47	1.52	1.55	1.57
18.0	6.55	6.47	6.44	6.38	1.48	1.53	1.56	1.58	
680	-15.0	3.32	3.28	3.28	3.25	1.13	1.16	1.18	1.19
	-10.0	3.55	3.50	3.50	3.47	1.21	1.24	1.26	1.27
	-7.0	3.72	3.66	3.66	3.64	1.28	1.32	1.33	1.35
	-5.6	3.93	3.87	3.87	3.84	1.28	1.32	1.34	1.36
	-2.8	4.13	4.07	4.04	4.01	1.30	1.34	1.36	1.38
	0.0	4.27	4.22	4.19	4.16	1.31	1.35	1.37	1.40
	2.8	4.59	4.54	4.51	4.48	1.34	1.38	1.41	1.43
	5.6	5.09	5.00	4.97	4.94	1.37	1.42	1.44	1.46
	7.0	5.61	5.51	5.34	5.31	1.40	1.47	1.47	1.49
	11.1	5.92	5.83	5.80	5.77	1.44	1.48	1.50	1.53
	13.9	6.24	6.15	6.12	6.06	1.46	1.51	1.53	1.55
	16.7	6.55	6.47	6.41	6.38	1.48	1.53	1.55	1.58
18.0	6.70	6.61	6.55	6.53	1.49	1.54	1.57	1.59	
840	-15.0	3.35	3.30	3.30	3.28	1.14	1.18	1.19	1.21
	-10.0	3.58	3.53	3.53	3.50	1.22	1.26	1.27	1.29
	-7.0	3.75	3.69	3.69	3.67	1.29	1.33	1.35	1.37
	-5.6	3.95	3.90	3.90	3.87	1.29	1.33	1.35	1.37
	-2.8	4.16	4.10	4.10	4.07	1.31	1.35	1.37	1.39
	0.0	4.33	4.27	4.25	4.22	1.32	1.37	1.39	1.41
	2.8	4.65	4.59	4.54	4.51	1.35	1.40	1.42	1.44
	5.6	5.15	5.06	5.03	5.00	1.38	1.43	1.45	1.47
	7.0	5.66	5.57	5.39	5.37	1.41	1.48	1.48	1.50
	11.1	5.97	5.92	5.86	5.83	1.44	1.49	1.51	1.54
	13.9	6.29	6.21	6.18	6.15	1.47	1.51	1.54	1.56
	16.7	6.61	6.53	6.50	6.44	1.49	1.54	1.56	1.58
18.0	6.79	6.70	6.64	6.58	1.50	1.55	1.57	1.60	

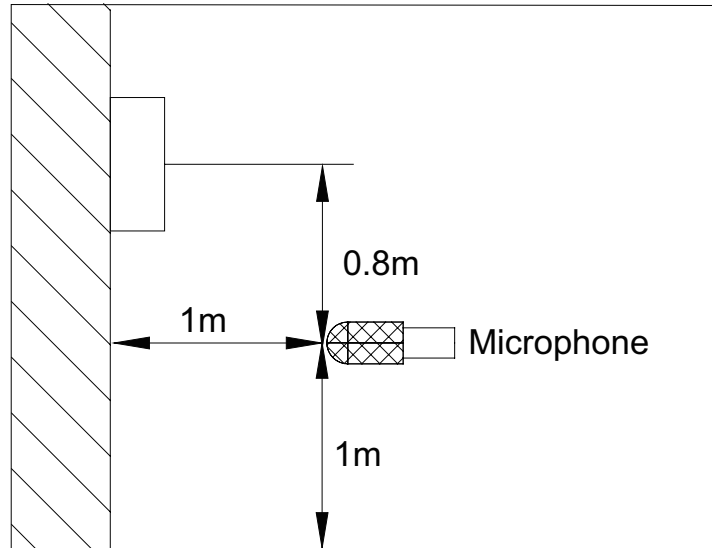
Note: The table shows the case where the operation frequency of a compressor is fixed.

AR24TXHQASI/EU								[SI_Unit]	
INDOOR AIRFLOW (CMH)	HEATING PERFORMANCE AT INDOOR DRY BULB TEMPERATURE								
	OUTDOOR DB(°C)	TC:TOTAL CAPACITY IN KILOWATTS (KW)				PI:TOTAL POWER IN KILOWATTS (KW)			
		Indoor Conditions (DB °C)				Indoor Conditions (DB °C)			
		16.0	20.0	22.0	24.0	16.0	20.0	22.0	24.0
662	-15.0	4.06	4.01	3.99	3.96	1.47	1.52	1.54	1.57
	-10.0	4.34	4.29	4.26	4.23	1.57	1.62	1.65	1.68
	-7.0	4.54	4.49	4.46	4.44	1.67	1.72	1.75	1.78
	-5.6	4.87	4.81	4.78	4.75	1.68	1.74	1.77	1.80
	-2.8	5.16	5.10	5.07	5.04	1.72	1.77	1.80	1.83
	0.0	5.39	5.33	5.27	5.24	1.75	1.81	1.84	1.87
	2.8	5.82	5.76	5.71	5.68	1.80	1.86	1.89	1.92
	5.6	6.49	6.40	6.37	6.31	1.85	1.92	1.95	1.98
	7.0	7.19	7.10	6.86	6.83	1.88	1.99	1.98	2.02
	11.1	7.65	7.56	7.50	7.44	1.95	2.02	2.05	2.07
	13.9	8.11	7.99	7.94	7.88	1.99	2.06	2.09	2.12
	16.7	8.54	8.43	8.37	8.31	2.03	2.09	2.13	2.17
18.0	8.75	8.63	8.57	8.51	2.05	2.12	2.15	2.19	
817	-15.0	4.14	4.09	4.07	4.05	1.49	1.54	1.56	1.59
	-10.0	4.42	4.37	4.35	4.32	1.59	1.64	1.67	1.69
	-7.0	4.63	4.58	4.55	4.53	1.69	1.74	1.77	1.80
	-5.6	4.95	4.89	4.87	4.84	1.70	1.76	1.79	1.82
	-2.8	5.27	5.18	5.16	5.13	1.74	1.79	1.82	1.85
	0.0	5.50	5.42	5.39	5.36	1.77	1.83	1.86	1.89
	2.8	5.97	5.88	5.82	5.79	1.82	1.89	1.92	1.95
	5.6	6.63	6.55	6.49	6.43	1.88	1.94	1.97	2.01
	7.0	7.34	7.24	7.01	6.95	1.91	2.01	2.01	2.04
	11.1	7.82	7.70	7.67	7.62	1.97	2.04	2.07	2.10
	13.9	8.25	8.17	8.11	8.05	2.02	2.08	2.11	2.15
	16.7	8.72	8.60	8.54	8.49	2.06	2.12	2.16	2.20
18.0	8.95	8.80	8.75	8.69	2.07	2.14	2.18	2.22	
980	-15.0	4.19	4.14	4.12	4.09	1.51	1.55	1.59	1.61
	-10.0	4.48	4.42	4.40	4.37	1.61	1.66	1.69	1.71
	-7.0	4.69	4.63	4.61	4.58	1.71	1.76	1.80	1.82
	-5.6	5.01	4.95	4.92	4.89	1.72	1.78	1.81	1.84
	-2.8	5.33	5.27	5.21	5.18	1.76	1.82	1.85	1.88
	0.0	5.56	5.50	5.44	5.42	1.79	1.85	1.88	1.91
	2.8	6.02	5.94	5.91	5.85	1.84	1.91	1.94	1.97
	5.6	6.69	6.60	6.57	6.52	1.90	1.96	2.00	2.03
	7.0	7.42	7.33	7.10	7.04	1.93	2.04	2.03	2.06
	11.1	7.91	7.79	7.76	7.70	2.00	2.06	2.09	2.13
	13.9	8.37	8.25	8.20	8.14	2.04	2.10	2.14	2.18
	16.7	8.83	8.72	8.66	8.60	2.07	2.15	2.19	2.22
18.0	9.04	8.92	8.86	8.80	2.10	2.17	2.21	2.25	

Note: The table shows the case where the operation frequency of a compressor is fixed.

7. Noise Criterion Curves

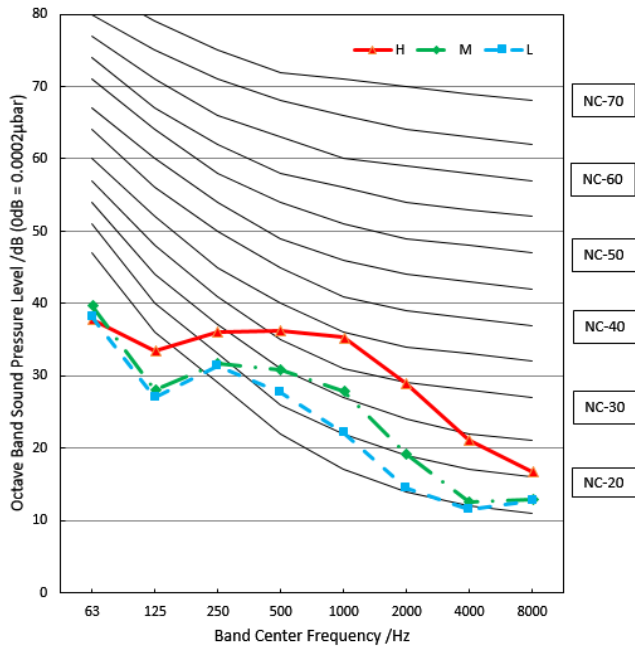
7.1 Indoor Unit



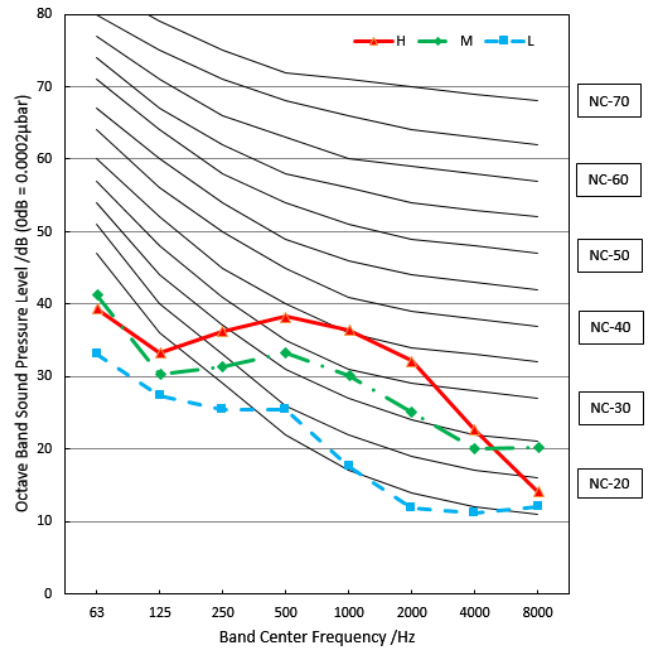
Notes:

- Sound measured at 1.0m away from the center of the unit.
 - Data is valid at free field condition
 - Data is valid at nominal operation condition
 - Reference acoustic pressure $OdB = 20\mu Pa$
 - Sound level will vary depending on a range of factors such as the construction -(acoustic absorption coefficient) of particular room in which the equipment is installed.
 - The operating conditions are assumed to be standard.
-

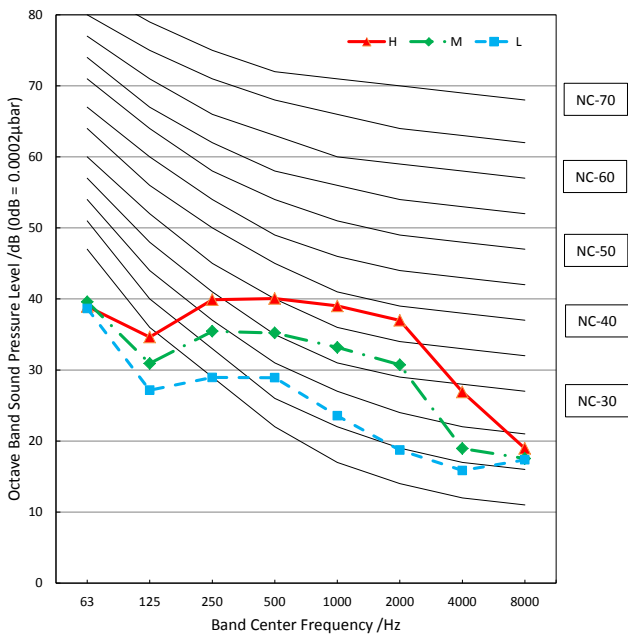
AR09TXHQASINEU
AR09TXHQBWKNEU



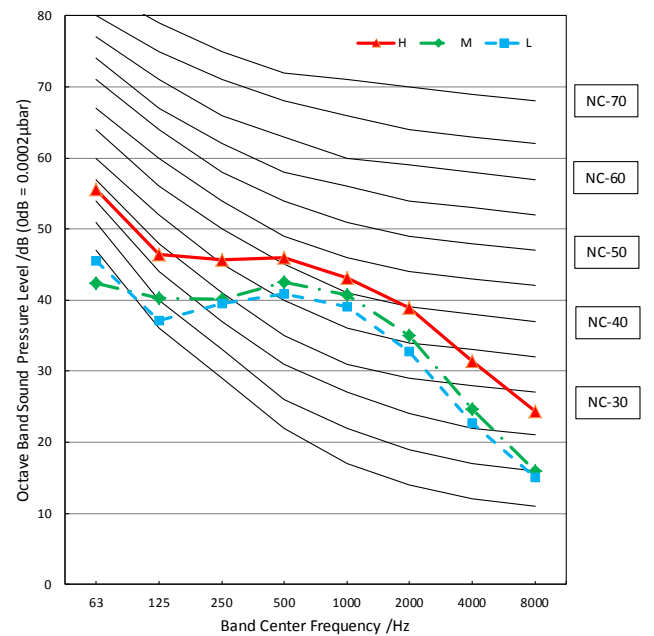
AR12TXHQASINEU
AR12TXHQBWKNEU



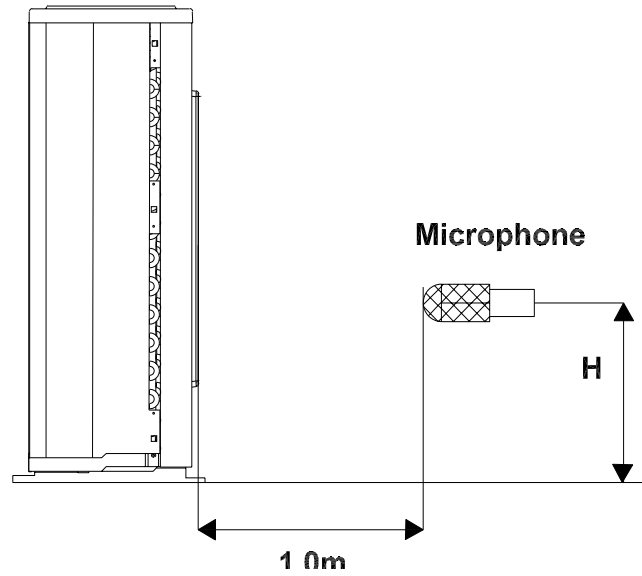
AR18TXHQASINEU



AR24TXHQASINEU



7.2 Outdoor Unit

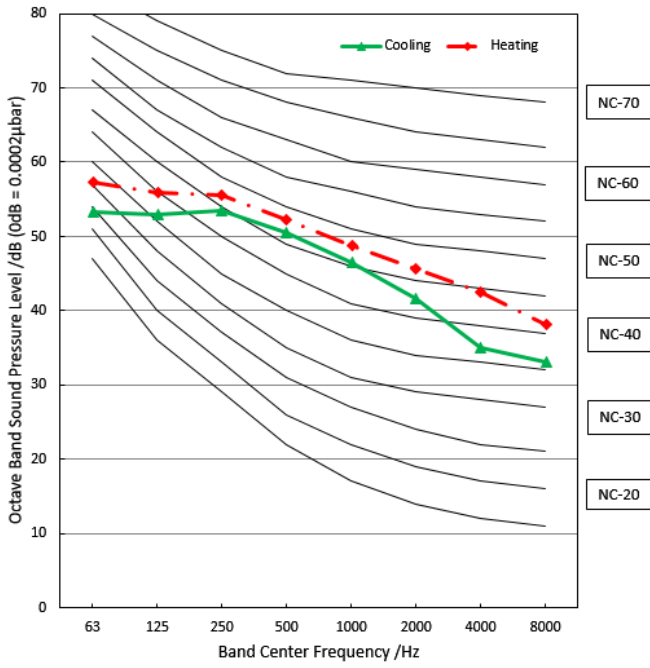


Note: $H = 0.5 \times$ height of outdoor unit

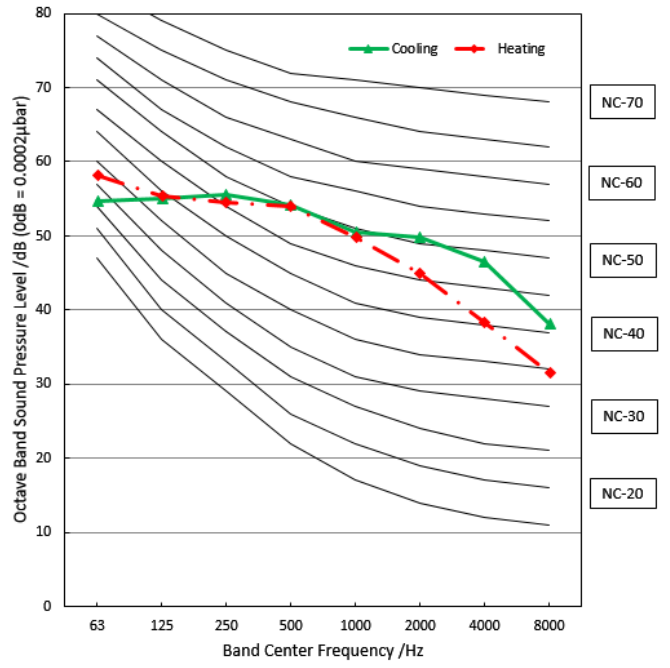
Notes:

- Sound measured at 1.0m away from the center of the unit.
 - Data is valid at free field condition
 - Data is valid at nominal operation condition
 - Reference acoustic pressure $OdB=20\mu Pa$
 - Sound level will vary depending on arrangement of factors such as the construction (acoustic absorption coefficient) of particular room in which the equipment is installed.
 - The operating conditions are assumed to be standard.
-

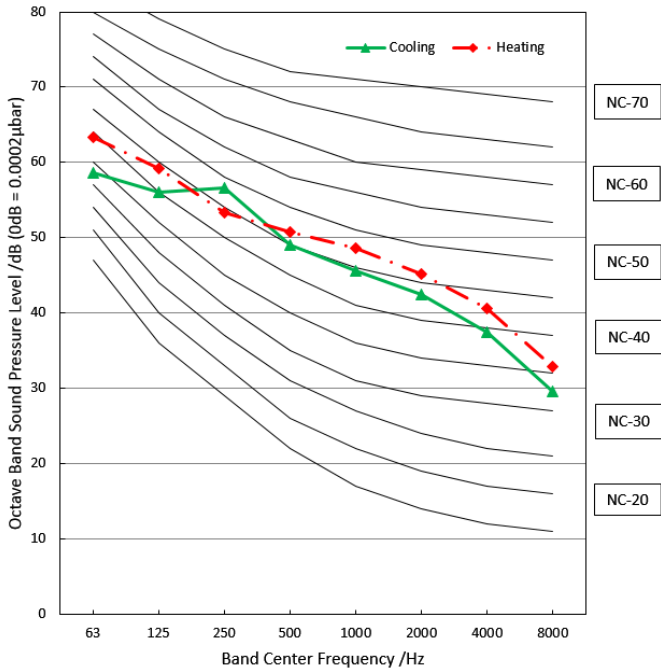
AR09TXHQASIXEU
AR09TXHQBWKXEU



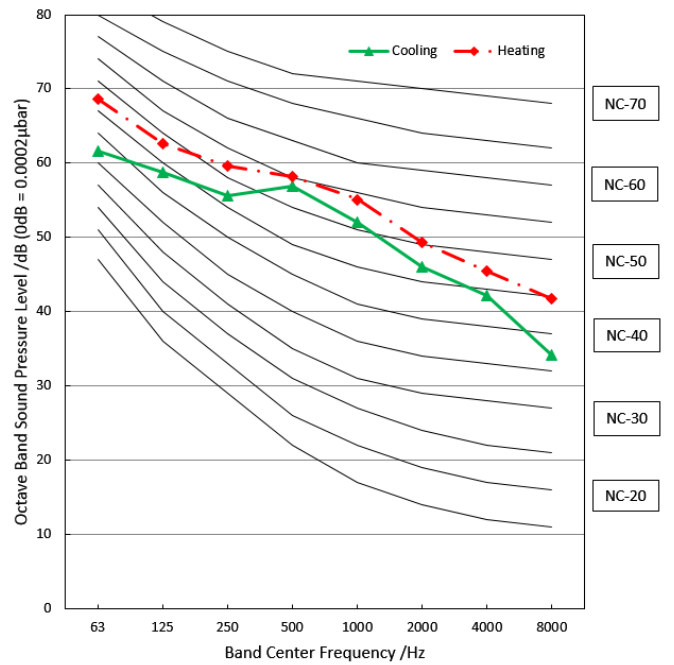
AR12TXHQASIXEU
AR12TXHQBWKXEU



AR18TXHQASIXEU



AR24TXHQASIXEU



8. Electrical Characteristics

Model	Indoor Unit			Power Supply		IFM	
	Phase	Hz	Voltage	MCA	MOP	W	FLA
AR09TXHQASINEU AR09TXHQBWKNEU	1	50	220-240	/	/	13	0.17
AR12TXHQASINEU AR12TXHQBWKNEU				/	/	13	0.17
AR18TXHQASINEU				/	/	36	0.11
AR24TXHQASINEU				/	/	58	0.206

Model	Outdoor Unit			Power Supply			Compressor		OFM		
	Phase	Hz	Voltage	MCA	MOP	MFA	MSC	RLA	Qty	W	FLA
AR09TXHQASIXEU AR09TXHQBWKXEU	1	50	220-240	8.6	14.26	20	/	5.65	1	34	0.55
AR12TXHQASIXEU AR12TXHQBWKXEU				8.6	14.26	20	/	5.65	1	34	0.55
AR18TXHQASIXEU				10.2	17.66	20	/	7.5	1	34	0.39
AR24TXHQASIXEU				12.75	22.15	25	/	9.4	1	50	0.5

Notes:

MCA: Minimum Circuit Amperes (A)

MOP: Maximum rating over current protective device

MFA: Maximum Fuse Amperes (A)

MSC: Maximum Starting Current

RLA: Rated Load Amperes (A)

IFM: Indoor Fan Motor

OFM: Outdoor Fan Motor

FLA: Full Load Amperes (A)

Samsung Electronics Co., LTD.

Head Office (Suwon Korea) 129, Samsung-Ro, Yeongtong-Gu, Suwon City, Gyeonggi-Do, Korea 16677

Website : www.samsung.com, <https://partnerhub.samsung.com> Email : airconditioner@samsung.com

Images and data in this book may subject to change without prior notice.